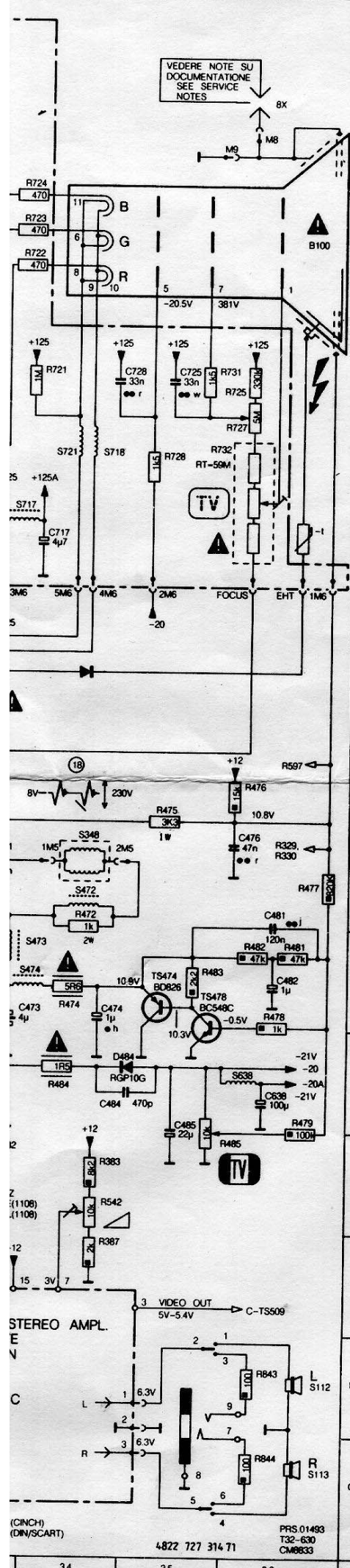
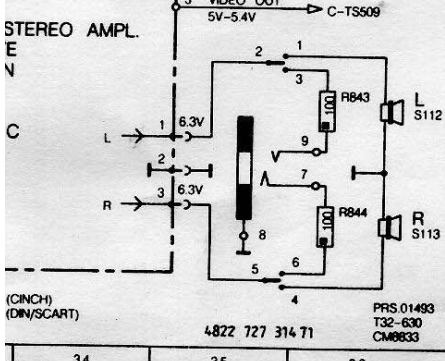


VEDERE NOTE SU DOCUMENTAZIONE SEE SERVICE NOTES



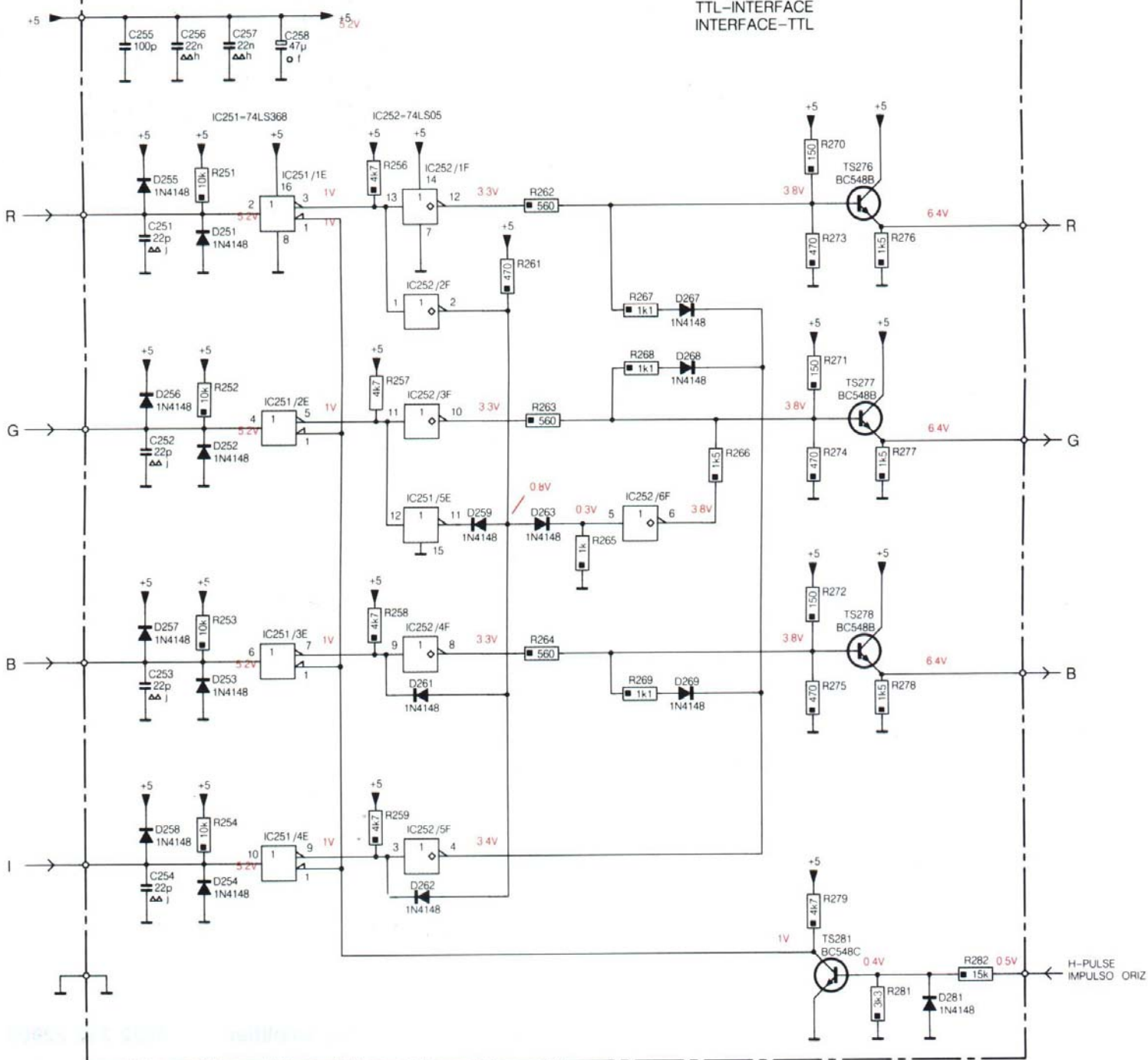
1109	M02	D141	K11	R431	I14	R728	E35
1560	A13	D142	M1	R432	M21	R731	D35
1567	E12	D143	L11	R433	M2	R732	E35
C102	L 3	D152	L11	R436	G17	R843	N36
C103	L 4	D221	I 3	R437	G17	R844	O36
C104	L 4	D222	I 3	R438	G16	S102	L 3
A C106	M 4	D223	I 2	R439	G15	S104	M 5
C107	K 6	D234	M15	R440	J22	S112	N36
C108	L 6	D235	M16	R441	G17	S113	O36
C109	K 5	D325	L32	R442	H17	S131	L 9
C110	L 5	D333	N21	R443	G20	S136	L10
C111	L 6	D337	N25	R444	G17	S348	M29
C112	L 6	D346	K27	R445	G18	S349	I34
C116	O11	D412	H 9	R446	H17	S465	I29
C117	O12	D433	M22	R447	H19	S472	I34
C122	O 8	D455	H22	R448	H20	S473	J34
C124	N 8	D457	H20	R450	I20	S474	J34
C129	L 7	D461	I28	R451	I27	S491	L13
C131	L 9	D465	I30	R452	J20	S493	M13
C132	L10	D467	I33	R454	I20	S494	K13
C141	L11	D468	J33	R455	I22	S533	C 8
C142	M11	D484	K34	R456	H21	S534	B 8
C143	M11	D560	A17	R457	H21	S555	A 9
C144	K12	D571	D26	R461	J28	S560	A12
C145	N11	D572	D25	R462	J29	S569	A14
C C146	M12	D573	D26	R465	I30	S601	E27
C152	L12	D576	A18	R466	I31	S602	D27
C204	D 3	D592	E24	R469	H32	S603	C27
C205	E 3	D593	E24	R472	I34	S638	K36
C206	E 3	D597	E21	R474	J34	S718	E34
C214	O17	D601	E27	R475	H35	S721	A34
C216	O18	D602	D27	R476	H36	S722	E33
C217	D10	D603	B27	R477	I36	S723	D33
C218	E10	D604	B30	R478	J36	S724	B33
C219	F10	D605	E30	R479	K36	SK1	K 2
C225	O15	D714	D33	R481	J36	SK2	A19
C232	N15	D715	C33	R482	J36	SK3	A16
C233	N18	D716	B33	R483	J35	SK4	E19
C234	M16	I1010	N10	R484	K34	SK5	G15
C331	L24	I3002	L23	R485	L36	T101	K11
C334	N14	I4001	G11	R494	K17	T401	I29
C338	O24	I4002	H15	R502	D 2	T402	G33
C341	O24	I4003	L14	R506	B 3	TS117	N11
C345	L26	I5001	B12	R507	A 2	TS121	M 8
E C346	K27	I5002	B22	R508	B 3	TS132	L 9
C347	L27	R103	L 4	R510	A19	TS152	K12
C351	M28	R104	M 4	R511	C 2	TS211	D 4
C352	M28	R112	L13	R512	M17	TS212	E 4
C356	O27	R113	O13	R513	A18	TS213	F 4
C361	O29	R114	O13	R514	B 8	TS217	E 6
C401	J10	R115	N12	R515	B 4	TS218	F 6
C411	J 2	R116	O12	R516	B 4	TS219	F 5
C412	H 9	R117	M12	R519	C 6	TS228	O16
C414	H10	R121	K 9	R520	C 5	TS233	N17
F C419	H12	R122	O 8	R529	A 7	TS235	M16
C420	H13	R125	N 8	R532	B 7	TS328	N26
C421	I11	R126	N 7	R534	B 8	TS367	L30
C432	K14	R127	M 8	R535	B 8	TS368	M29
C433	G20	R128	M 8	R538	C 9	TS405	J11
C434	J15	R129	L 8	R538	B 9	TS406	J10
C436	H16	R136	K10	R541	C 9	TS413	H 9
C439	H15	R152	L12	R542	L34	TS418	I13
C443	M22	R201	E 3	R549	B 5	TS419	I14
C444	H18	R202	F 3	R553	A 8	TS439	G15
C445	H17	R203	F 3	R554	A 8	TS461	I27
C446	H17	R204	D 3	R556	B12	TS467	I31
C447	H19	R205	E 3	R557	C17	TS474	J35
C451	I27	R206	F 3	R558	B17	TS478	J35
C454	I20	R207	E 4	R560	A17	TS508	A 2
C455	H22	R208	F 4	R561	B11	TS509	C 2
C461	J29	R209	F 4	R562	L17	TS510	A18
C462	J28	R210	D 2	R564	E13	TS514	A 3
C463	I29	R211	D 5	R569	A14	TS515	C 6
H C464	I27	R212	E 6	R570	A14	TS539	B 9
C465	I32	R214	N17	R571	D25	TS540	B 9
C468	H33	R215	O17	R573	B25	TS604	E29
C470	I32	R216	O17	R574	A24	TS606	C29
C471	I33	R217	E 5	R577	E19	TS633	G26
C473	J34	R218	F 6	R578	E19	TS635	F27
C474	J34	R219	F 5	R579	E18	TS641	G27
C476	I36	R220	D 3	R580	D26	TS711	E32
C481	I36	R221	H 2	R581	F18	TS712	C32
C482	J36	R222	H 2	R582	E20	TS713	B32
C484	K34	R223	I 2	R583	F20	VL101	K 2
C485	K35	R224	I 2	R584	E20		
C491	M13	R225	J 3	R585	E19		
C492	M14	R226	O15	R586	F22		
C493	N13	R227	O16	R587	G22		
C494	K18	R228	N16	R588	F22		
C502	M18	R229	J 9	R589	F23		
C507	M17	R231	N16	R590	B 5		
C508	B 3	R232	N15	R591	E22		
C510	B 5	R234	M16	R592	E23		
C516	B 3	R235	L15	R593	E24		
C544	B 9	R282	L33	R594	E24		
C551	C10	R325	K32	R595	E16		
C554	A 8	R326	O27	R596	E16		
C555	A 8	R327	O27	R597	F21		
C556	A 9	R328	N26	R598	F22		
C557	C17	R329	O26	R599	B 6		
C558	B17	R330	O25	R601	E28		
C559	B11	R331	L24	R602	D28		
C560	B12	R332	L23	R603	C28		
C561	M17	R333	L22	R605	O28		
C562	M18	R334	M14	R606	C28		
C563	E13	R335	N23	R607	F28		
C564	E13	R336	O25	R608	D28		
C565	D11	R337	N24	R609	C28		
C566	C11	R338	O24	R611	E30		
C567	E12	R341	O23	R612	D30		
C569	E14	R342	O23	R613	C30		
C570	A15	R343	N24	R614	E29		
L C571	B24	R344	K26	R614	E29		
C572	C24	R345	L26	R616	C29		
C573	D24	R346	K27	R617	F29		
C574	A24	R347	L28	R618	D29		
C575	A23	R348	L29	R619	C29		
C576	A21	R351	M28	R621	E30		
C577	A22	R352	N28	R622	C30		
C578	A22	R353	N28	R623	B30		
C581	E19	R354	N28	R624	B26		
M C585	E21	R356	N27	R625	A27		
C589	F22	R357	O29	R626	A27		
C617	E29	R358	O28	R633	F26		
C618	D29	R361	O29	R634	G26		
C619	C29	R363	L30	R635	F26		
C634	G26	R364	M30	R636	H26		
C636	H27	R365	N30	R641	F28		
C637	H27	R367	L30	R642	A30		
C638	K36	R368	N30	R704	E31		
C701	A31	R383	L34	R705	D31		
C717	F34	R387	M34	R706	C31		
C718	F33	R402	J11	R707	E31		
C725	D35	R403	K11	R708	D31		
C728	D35	R406	J 9	R709	C31		
D107	L 6	R408	J 1	R711	E31		
D108	L 6	R409	J 2	R712	D31		
D109	L 5	R411	J 2	R713	C31		
D110	L 5	R412	G 9	R714	D32		
D115	O12	R413	G10	R715	C32		
O D121	M 9	R414	H10	R716	B32		
D125	N 7	R415	I12	R721	D34		
D126	N 7	R416	G13	R722	C33		
D127	M 7	R417	J13	R723	C33		
D128	M 7	R418	J14	R724	B33		
D129	L 7	R419	H12	R725	D36		
D131	L 9	R420	G13	R727	E36		

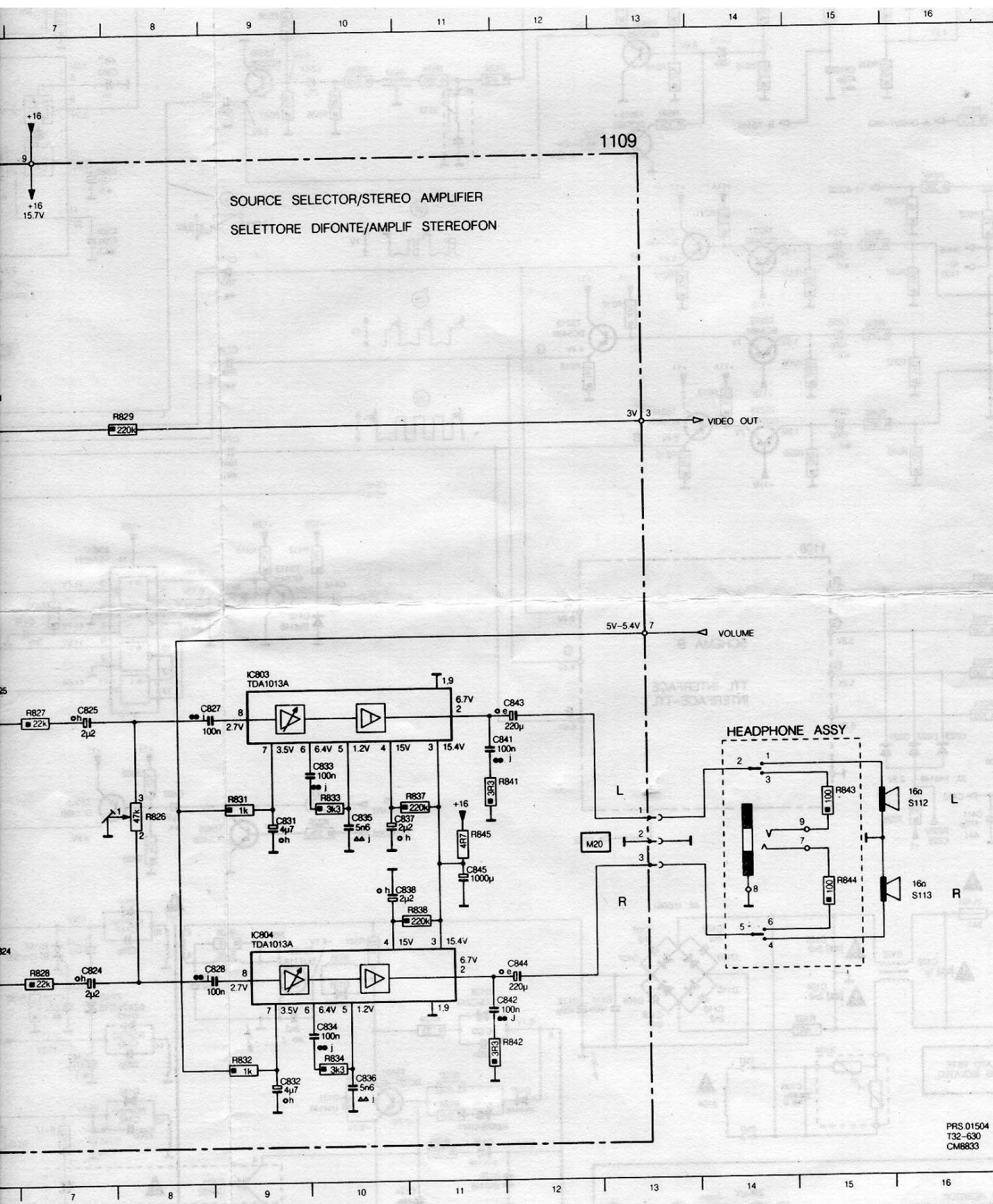


SCHEMA B

1108

TTL-INTERFACE INTERFACE-TTL





SOURCE SELECTOR/STEREO AMPLIFIER
SELETTORE DIFONTE/AMPLIF STEREOFON

1109

3V 3 VIDEO OUT

5V-5.4V 7 VOLUME

HEADPHONE ASSY

PRS 01504
T32-630
CM6833

- C801 D 2
- C802 E 2
- C812 C 3
- C813 B 2
- C814 C 5
- C815 B 4
- C817 G 3
- C818 J 3
- C819 H 3
- C824 J 7
- C825 H 7
- C827 H 9
- C828 J 9
- C831 I 9
- C832 L 9
- C833 H10
- C834 K10
- C835 I10
- C836 L10
- C837 H11
- C838 J11
- C841 H12
- C842 K12
- C843 H12
- C844 J12
- C845 I11
- IC801 C 5
- IC803 G 9
- IC804 J 9
- R801 D 2
- R803 D 3
- R804 E 3
- R805 D 3
- R806 F 3
- R807 D 4
- R808 F 4
- R811 D 6
- R813 B 2
- R814 C 3
- R815 B 4
- R817 G 3
- R818 K 3
- R819 I 3
- R821 G 4
- R822 J 4
- R823 H 4
- R824 J 6
- R825 G 6
- R826 I 8
- R827 H 7
- R828 J 7
- R829 D 8
- R831 I 9
- R832 K 9
- R833 I10
- R834 K10
- R837 I11
- R838 J11
- R841 H12
- R842 K12
- R843 I15
- R844 J15
- R845 I11
- S112 I16
- S113 J16
- SK2 A 6
- TS807 D 3
- TS808 E 3